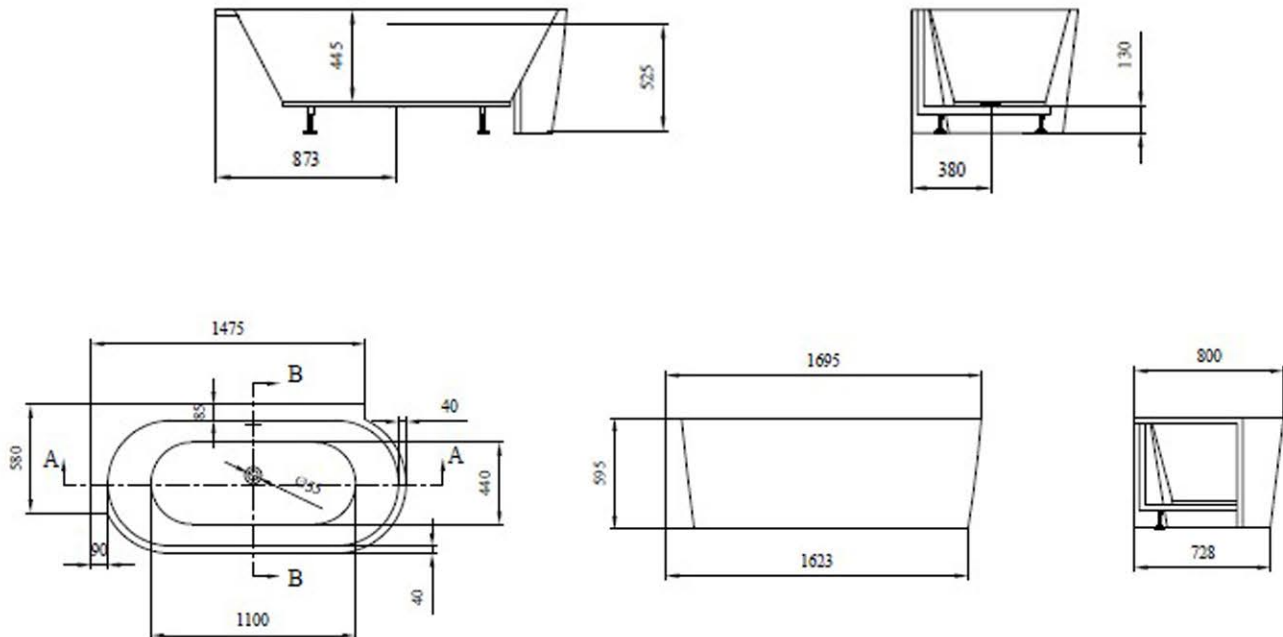


**Claire 1700mm Corner Back To Wall Bath**

- 1700mm freestanding bath
- Can be drilled for tap holes
- High grade acrylic
- Available in both left & right hand orientations
- Corner, Back to wall design
- White Finish



**Product Dimensions**



The information contained on this page was correct at date of issue. Fitting dimensions are provided as a guide only. Some variation may occur due to manufacturing tolerances. We pursue a policy of continuing improvement in design and performance of our products and so reserve the right to change specifications without prior notice. All sizes are listed as accurate as possible however they can vary slightly. Please allow a variant of approx 10-20mm on certain products.