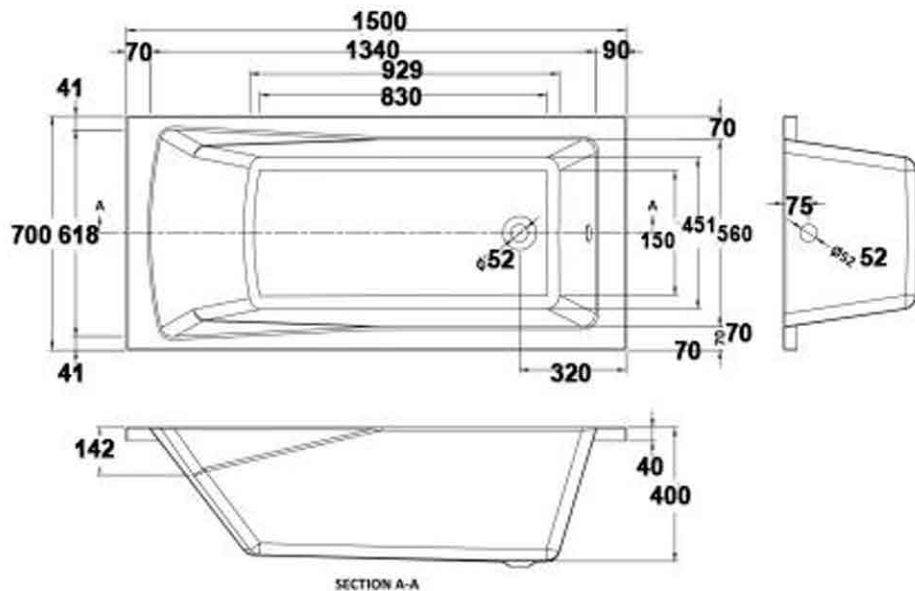


Kobe 1500x700mm Single Ended Acrylic Bath

- Can be drilled for tap holes.
- Suitable for standard plug and chain / click clack or pop waste and bath overflow filler.
- Made from high grade acrylic.
- CE Approved.



Product Dimensions



The information contained on this page was correct at date of issue. Fitting dimensions are provided as a guide only. Some variation may occur due to manufacturing tolerances. We pursue a policy of continuing improvement in design and performance of our products and so reserve the right to change specifications without prior notice. All sizes are listed as accurate as possible however they can vary slightly. Please allow a variant of approx 10-20mm on certain products.